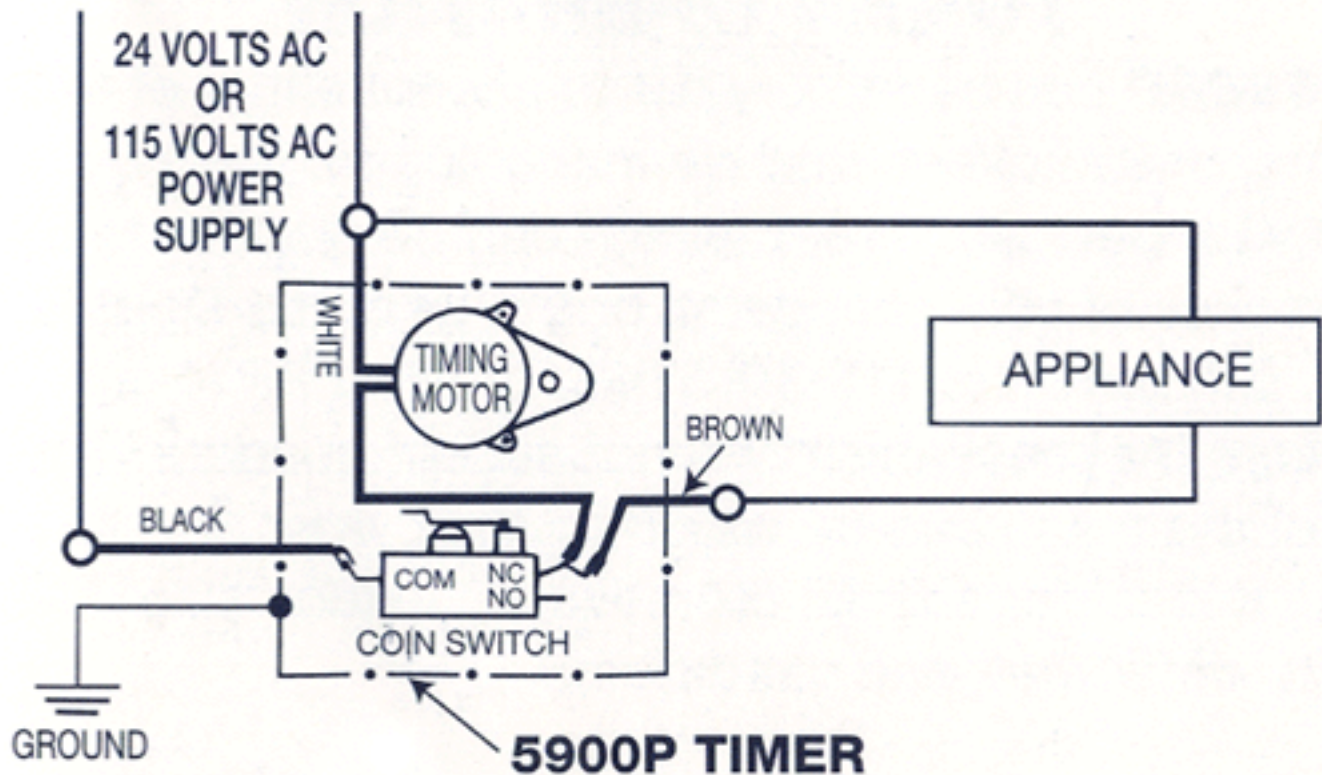


## FIGURE 1 **SINGLE SWITCH TIMER**



When a coin is deposited, the coin switch closes, activating the timing motor and the appliance. At the end of the total time purchased, the timing motor causes the switch to open, ending the cycle.

### **GREENWALD INDUSTRIES**

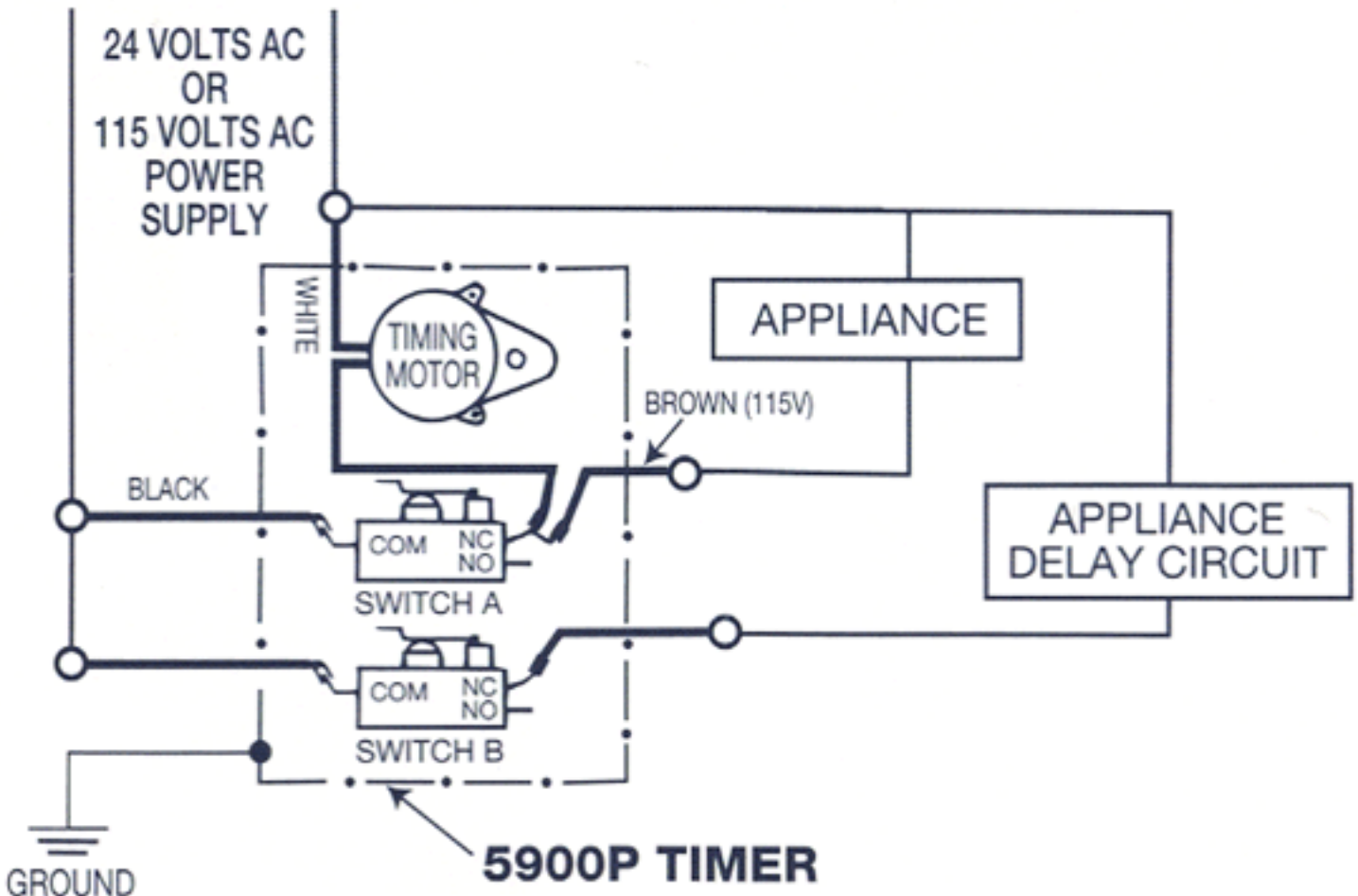
212 Middlesex Avenue | Chester, CT 06412 USA | Tel: (860) 526-0800 | Fax: (860) 526-4205  
Toll-Free Tel: 1-800-221-0982 | Toll-Free Fax: 1-800-445-1340  
[www.greenwaldindustries.com](http://www.greenwaldindustries.com)

**United States & Canada Customer Service & Technical Assistance:**  
Monday-Friday, 8am to 5pm EST.

Contents, specifications and availability are subject to revisions serving the technical improvement.  
Not responsible for any typographical errors.



## FIGURE 2 **DOUBLE SWITCH TIMER** (Clothes Dryer, etc.)



When a coin is deposited **Switch A** and **Switch B** both close, activating both circuits. Toward the end of the cycle **Switch B** opens, shutting off the delay circuit. The main circuit continues to run until the Timing Motor opens **Switch A** ending the cycle.

### GREENWALD INDUSTRIES

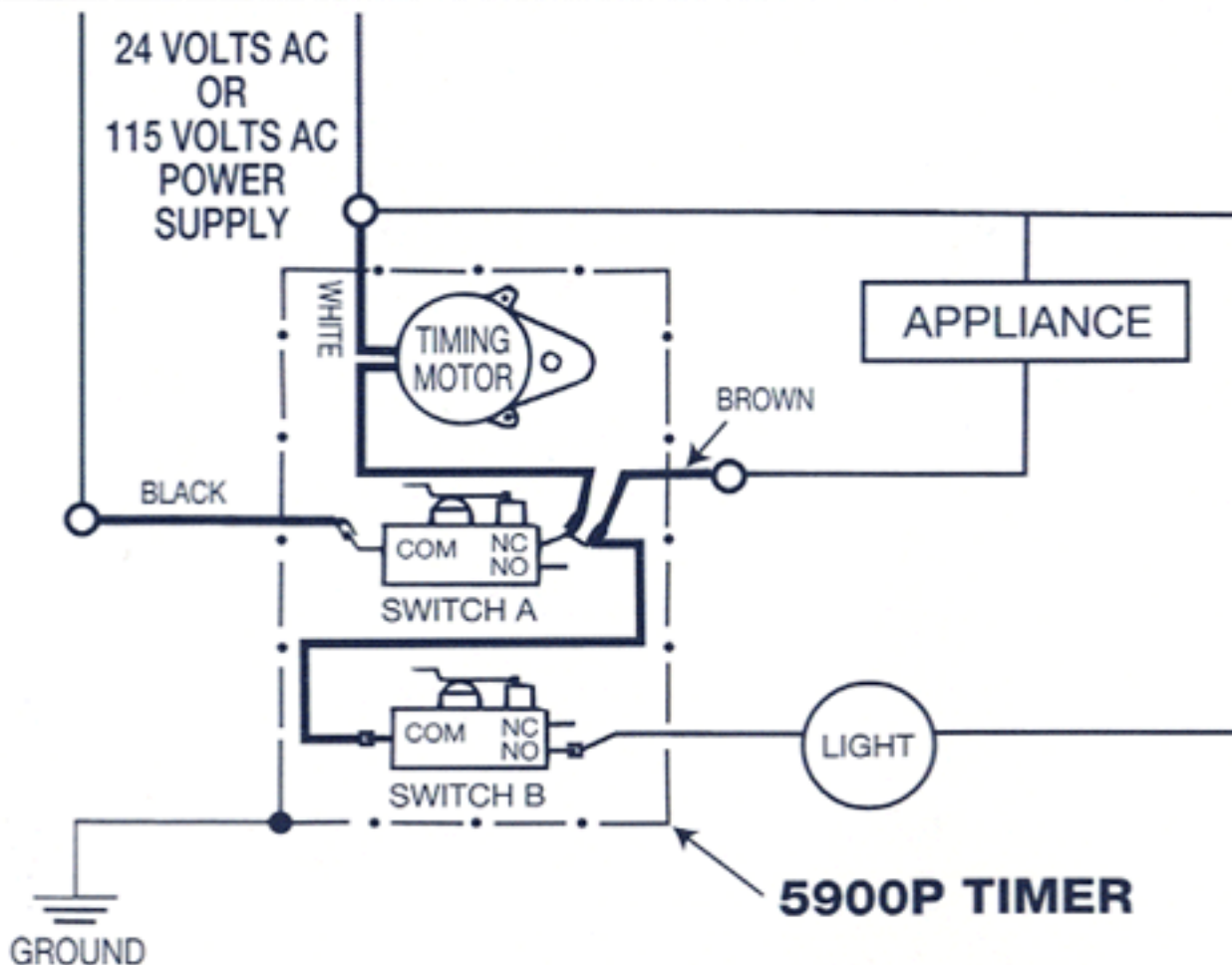
212 Middlesex Avenue | Chester, CT 06412 USA | Tel: (860) 526-0800 | Fax: (860) 526-4205  
Toll-Free Tel: 1-800-221-0982 | Toll-Free Fax: 1-800-445-1340  
[www.greenwaldindustries.com](http://www.greenwaldindustries.com)

**United States & Canada Customer Service & Technical Assistance:**  
Monday–Friday, 8am to 5pm EST.

Contents, specifications and availability are subject to revisions serving the technical improvement.  
Not responsible for any typographical errors.



## FIGURE 3 **DOUBLE SWITCH TIMER** (Recreational Lighting, etc.)



When a coin is deposited **Switch A** and **Switch B** both close activating the appliance. Toward the end of the cycle, **Switch B** transfers to **NO**, activating the light. The appliance continues to run, and the light remains **ON** until the Timing Motor opens **Switch A**, ending the cycle.

**GREENWALD INDUSTRIES**

212 Middlesex Avenue | Chester, CT 06412 USA | Tel: (860) 526-0800 | Fax: (860) 526-4205  
Toll-Free Tel: 1-800-221-0982 | Toll-Free Fax: 1-800-445-1340  
[www.greenwaldindustries.com](http://www.greenwaldindustries.com)

**United States & Canada Customer Service & Technical Assistance:**  
Monday–Friday, 8am to 5pm EST.

Contents, specifications and availability are subject to revisions serving the technical improvement.  
Not responsible for any typographical errors.

