

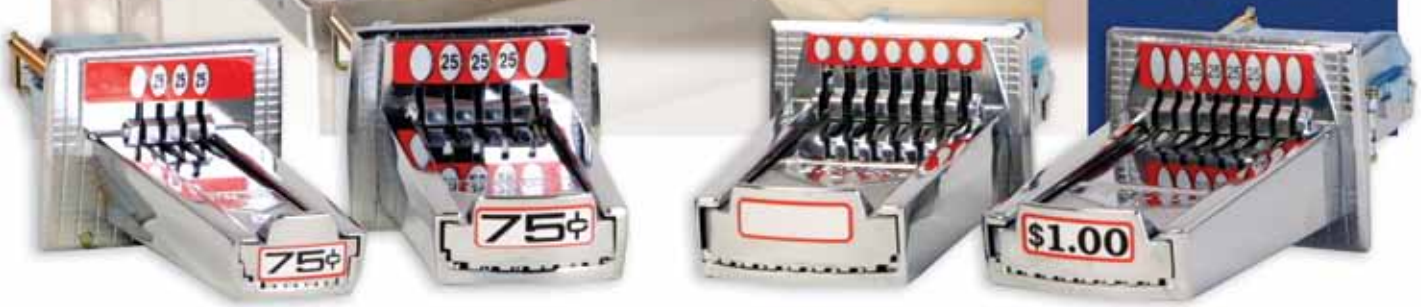
Setting The Industry Standard

Superior Quality Coin Chutes/Slides



Features

- Available for US, Canadian and token operation
- Fits all major makes of washers, dryers and many vending machines
- Thick front mounting plate
- Stainless steel gate protects from tampering and rusting
- Patented V-notch sizing system for greater rejections of slugs
- Quick and easy procedure to change prices, no need to replace parts



Greenwald Industries' Coin Chutes/Slides are the industry standard. Our full line of Coin Chutes are engineered for greater flexibility with vending price changes. And the patented V-notch sizing system provides a greater rejection of slugs.

- G4 Series
- V5 Series
- V7 Series (international)
- V8 Series
- V13 Series

Fits all major makes of:

- Washers and Dryers
- Car Washes and Vacuums
- Billiard Tables
- Stamp Vendors
- Air Machines
- Egg Machines
- Amusement Rides for Children
- Decal Vendors
- Skill Games
- Indoor Tanning Machines
- Drink & Snack Vendors
- Sealing Machines
- Newspaper Vendors
- Novelty Vendors

Custom Casting and Handle Decals available for all models

Full 1-year warranty. Made in the USA.



Specification Details for Coin Chutes/Slides

Model	G4	V5	V7	V8	V13
Part Number	29-00-000-XXX	27-00-000-XXX		20-00000-XXX	21-16-008-XXX
Denominations	0 – \$1.00	0 – \$1.25		0 – \$2.00	0 – \$3.25
Material	Stainless Steel Gate & Sizing Dogs; Hardened Steel Sizing Block, Buffer Plate, Ratchet Dog	Stainless Steel Gate & Sizing Dogs; Hardened Steel Sizing Block, Buffer Plate, Ratchet Dog	Stainless Steel Gate & Sizing Dogs; Hardened Steel Sizing Block, Buffer Plate, Ratchet Dog	Stainless Steel Gate & Sizing Dogs; Hardened Steel Sizing Block, Buffer Plate, Ratchet Dog	Stainless Steel Gate & Sizing Dogs; Hardened Steel Sizing Block, Buffer Plate, Ratchet Dog
Color	Stainless Steel with Black & Red Decals	Stainless Steel with Black & Red Decals	Stainless Steel with Black & Red Decals	Stainless Steel with Black & Red Decals	Stainless Steel with Black & Red Decals
Available Speciality Features		Anti-Stringing, Slide Return, Jamming Guards and Built-In Magnet Part # 27-00-042-XXX		Anti-Stringing, Slide Return, Jamming Guards and Built-In Magnet Part # 20-00-042-XXX	
Special Order					
Quantity per Carton	15	15	15	15	15
Warranty	1 Year	1 Year	1 Year	1 Year	1 Year

G4 Ordering Guidelines Example: G4 set at .75¢: 29-00-000-075

Model # XX	Style # XXX	Options XXX	Vend Price XXX
29	00 = US (.25¢)	000 = No options, Standard Mount	XXX = Specify Vend Price
	15 = US (.25¢ & \$1.00)	006 = Pool Table Mount*	XXX = Specify Vend Price

*Pool Table Mount - without (4) shoulder screws in flange



V5 Ordering Guidelines Example: Vertical 5, with Ultra-Plus Options set at \$1.25: 27-00-042-125

Model # XX	Style # XXX	Options XXX	Vend Price XXX
27	00 = US (.25¢)	000 = No options, Standard Mount	XXX = Specify Vend Price
27	15 = US (.25¢ & \$1.00)	000 = No options, Standard Mount	XXX = Specify Vend Price
27	35 = Canadian (.25¢ & \$1.00)	006 = Pool Table Mount*	XXX = Specify Vend Price
95 = V5 Chute with Switch	00 = US (.25¢)	006 = Pool Table Mount* 042 = Ultra Plus**	XXX = Specify Vend Price
95 = V5 Chute with Switch	01 = 118-1 Token .900 dia.	006 = Pool Table Mount*	XXX = Specify Vend Price
95 = V5 Chute with Switch	02 = Token .900 dia. (non-Greenwald)	042 = Ultra Plus**	XXX = Specify Vend Price
95 = V5 Chute with Switch	04 = 118-5 Token .990 dia.	042 = Ultra Plus**	XXX = Specify Vend Price
95 = V5 Chute with Switch	06 = 118-10 Double D Token	042 = Ultra Plus**	XXX = Specify Vend Price

*Pool Table Mount - without (4) shoulder screws in flange

** High security, ultra plus option applied to "00" style only



V7 Ordering Guidelines Example: Vertical 7, with Pool Table Mount set for 1 x 1 Euro: 27-70-006-001

Model # XX	Style # XXX	Options XXX	Vend Price XXX
21	30 = Australia	008 = Standard Mount***	XXX = Specify Vend Price
	70 = 1 Euro, EU	006 = Pool Table Mount*	XXX = Specify Vend Price

*Pool Table Mount - without (4) shoulder screws in flange
 ***All V7 Coin Chute Systems include Anti-Stringing feature

Most foreign denominations are available, please contact your Greenwald representative.



✓ International Currency

V8 Ordering Guidelines Example: Vertical 8, Rim Token Chute System for 4 Tokens: 20-03-000-004

Model # XX	Style # XXX	Options XXX	Vend Price XXX
20	00 = US (.25¢)	000 = No options, Standard Mount	XXX = Specify Vend Price
20	34 = Canadian (.25¢ only)	000 = No options, Standard Mount	XXX = Specify Vend Price
98 = V8 Chute with Switch	00 = US (.25¢)	006 = Pool Table Mount* 042 = Ultra Plus**	XXX = Specify Vend Price
98 = V8 Chute with Switch	01 = 118-1 Token .900 dia.	006 = Pool Table Mount*	XXX = Specify Vend Price
98 = V8 Chute with Switch	03 = 118-14 Rim Token	042 = Ultra-Plus**	XXX = Specify Vend Price

*Pool Table Mount - without (4) shoulder screws in flange
 **High security, ultra plus option applied to "00" style only



V13 Ordering Guidelines Example: Vertical 13 with Standard Pool Mount: 21-16-008-250

Model # XX	Style # XXX	Options XXX	Vend Price XXX
21	16 = US (.25¢)	008 = Laundry Mount 006 = Pool Table Mount*	XXX = Specify Vend Price

*Pool Table Mount - without (4) shoulder screws in flange
 **All V13 Coin Chute Systems include Anti-Stringing feature

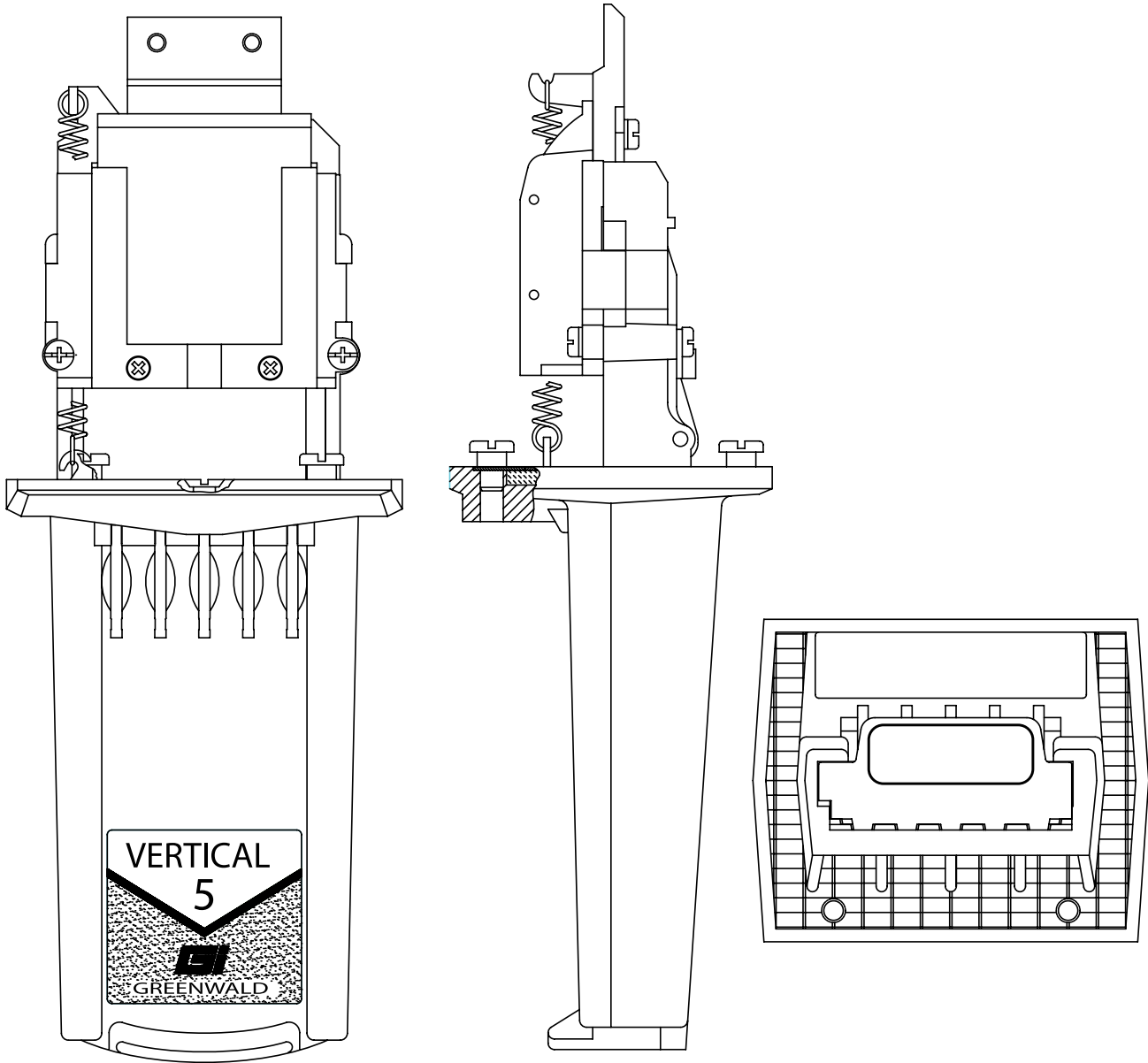


Tokette Chutes Ordering Guidelines

Model #	Description
11-1111	Tokette 1 Coin Chute
11-1115	Tokette 2 Coin Chute
11-1130	Tokette 3 Coin Chute



Coin Chute/Slide **Sample Drawing:**



GREENWALD INDUSTRIES

212 Middlesex Avenue | Chester, CT 06412 USA | Tel: (860) 526-0800 | Fax: (860) 526-4205
Toll-Free Tel: 1-800-221-0982 | Toll-Free Fax: 1-800-445-1340
www.greenwaldindustries.com

United States & Canada Customer Service & Technical Assistance:
Monday-Friday, 8am to 5pm EST.

Contents, specifications and availability are subject to revisions serving the technical improvement.
Not responsible for any typographical errors.

Why Greenwald Industries

Full Line of Laundry Vending Products:
Coin, SmartCards, and Access Control
Systems
Coin-Op Leader for Over 50 Years
Made in the USA

